



11 NORWOOD AVE., KINGSTON 5
JAMAICA, W.I.

TEL: (876)-929-6624; 929-6858

FAX: (876)-929-2052

INFO@SIGNTEXTLD.COM



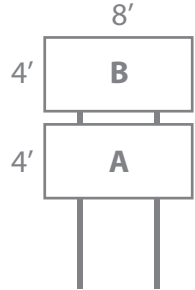
NIGHT



DAY

ROAD SIGNS

DIRECTIONAL/ROAD SAFETY



FACE A (8' X 4')

Reserved only for
Directional/Metric and
Road Safety Messages

FACE B (8' X 4')

Reserved for Advertising

RECOMMENDATION

Reflective Vinyl Graphics

(enables visibility at night)

**All Sites
Available
for Rent Only**

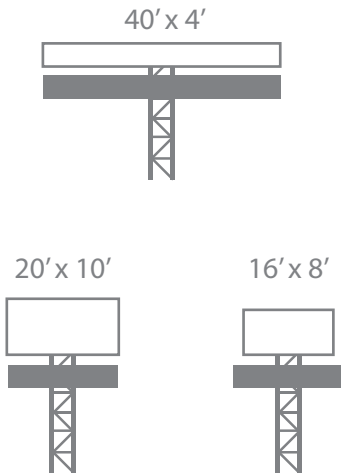
PYLON STRUCTURES

Defined by their structural post

MAJOR PARISH DIRECTIONAL/ METRIC ROAD SIGNS

Located along
major roadways
and roundabouts

Advertising Displays
are of varying sizes



***All Sites
Available
for Rent Only***

Located in the following
parishes:

- Kingston
- St. Andrew
- St. Catherine
- Clarendon
- Manchester
- St. Ann

